

Hisense

life reimagined

USER'S OPERATION MANUAL

Before operating this unit, please read this manual thoroughly, and retain for future reference

HR6FDFF630S

English

Contents

Brief introduction.....	2	Using your appliance.....	10
Important safety instructions.....	2	Helpful hints and tips.....	14
Installing your new appliance.....	5	Cleaning and care.....	15
Description of the appliance.....	7	Troubleshooting.....	16
Display controls.....	8	Disposal of the appliance.....	17

CE notice

This product has been determined to be in compliance with the Low Voltage Directive (2006/95/EC), the Electromagnetic Compatibility Directive (2004/108/EC) and the Eco-Design Directive (2009/125/EC) implemented by Regulation (EC) No 643/2009 of the European Union.

Brief introduction

Thank you for your choosing Hisense products. We are sure you will find the new appliance a pleasure to use. Before you start using the appliance, we recommend that you read through this User Manual carefully, which provides description of the refrigerator functions and its usage in more details.

- Please ensure that all people who are using this appliance are familiar with its operations and safety features recommended in this User Manual. It is important that you install the appliance correctly and follow the safety instructions.
- We recommend that you keep this user's manual with the appliance for future reference and retain it for future users.

- This appliance is intended to be used in household and similar applications such as:
 - Kitchen area in shops, offices and other working environments;
 - Farmhouses, hotels, motels and Bed and breakfast and other residential types of environment;
 - Catering and similar non-retail applications.
- If you feel that the appliance is not operating correctly, please refer to the troubleshooting page for most common problem. If still in doubt contact the customer service help line for assistance or to arrange a call out by an authorized service engineer.


Important safety instructions

General safety and daily use



It is important to use your appliance safely. We recommend that you follow the guidelines below.

- We recommend that you wait for 4 hours before connecting the appliance to main plug to allow the refrigerant to flow back into the compressor. It is also recommend that you let the fridge run for 3 hours before storing any food inside.

- The packaging material is recyclable, and marked with the recycling symbol . Adhere to current local regulations when disposing of packaging material.
- Do not use sharp-edge object or metal instrument to remove the frost and ice, or any frozen items from the freezer. This might damage the tubing of the refrigerant circuit and create leakage and risk of fire.
- Don't try to repair the appliance yourself. It

is dangerous to alter the specifications or modify this product in any way. Any damage to the power cord may cause short circuit, fire or electric shock.

- Store any food in accordance with the storage instructions from the manufacturer.
- Don't place a large amount of food directly against the air outlet on the rear wall of both the refrigerator and freezer compartment, as it obstructs air circulation.
- Don't place hot items near the plastic components of this appliance.
- Frozen food must not be refrozen once it has been thawed out.
- Don't store bottled or canned drinks (especially carbonated drinks) in the freezer compartment. Bottles and cans may explode.
- Any type of pressurised aerosol containers with the "flammable" and or small flame symbol should not be stored inside the refrigerator or freezer since it may cause an explosion.
- Don't consume ice popsicles or ice cubes straight from the freezer as this can cause frost burn to the mouth and lips.
- To avoid items falling and causing injury or damage to the appliance, don't overload the door racks or store a large amount of food in the crisper drawers.
- Do not touch frozen items when your hands are wet. Your hands could freeze to the items and cause the frost burn.
- Don't use mechanical devices or other means to accelerate the defrosting process, unless they are approved by the manufacturer.
- If the supply cord is damaged, it must be replaced by the manufacturer, its service agent or similarly qualified persons in order to avoid a hazard.
- When disposing of the appliance, do so only at an authorized waste disposal center. Don't expose to flame.

Safety for children and infirm persons



This appliance is not intended for use by persons (including children) with reduced physical, sensory or mental capabilities, or a lack of experience and knowledge, unless they have been given supervision or instruction concerning the use of the appliance by a person responsible for their safety. Children should be supervised to ensure that they do not play with the appliance.

- Keep all packaging away from children to avoid risk of suffocation.
- Protect children from being scalded by touching the very hot compressor at the rear bottom of appliance.
- Don't place items on top of the appliance as this could cause injury should they fall off.
- Never allow children to play with the appliance by hanging or standing over or on the doors, racks, shelves and drawers etc.

Safety about electricity



To avoid the risks that are always present when using an electric appliance, we recommend that you pay attention to the instructions about electricity below.

- We recommend after you unpack the appliance and check through the appliance. Should any damage be evident, don't plug in the appliance but contact the shop immediately from which you purchased it. Keep all packing materials in this case.
- The appliance must be applied with single phase alternating current of 220~240V/50Hz.
- The mains plug must be accessible when the appliance is installed.
- Make sure that the appliance is grounded properly. If still in doubt, call a qualified registered electrician.
- If the fitted plug is not suitable for your socket outlets, it should be cut off and carefully disposed of. To avoid a possible

shock hazard, do not insert the discarded plug into a socket. If in doubt contact a qualified, registered electrician.

- Do not use extension cords or multiple sockets which could cause overloading of wiring circuits and could cause a fire.

- Always plug your appliance into its own individual electrical socket which has a voltage rating that matched the rating plate.

- Make sure that the plug is not squashed or damaged. Otherwise, it may cause short circuit, electric shock or overheat and even cause a fire.

- Don't insert the mains plug if the socket is loose, there is a risk of electric shock or fire.

- Switch off the appliance and disconnect it from the mains power before you clean or move it.

- Never unplug the appliance by pulling on the electrical cord. Always grip the plug firmly and pull straight out from the socket to prevent damaging the power cord.

- Don't use the appliance without the light cover of interior lighting.

- Any electrical component must be replaced or repaired by a qualified electrician or authorized service engineer. Only genuine spares should be used.

- Don't use electrical appliances (such as

ice cream makers) inside the food storage compartments of the appliance, unless they are approved by the manufacturer.

- If the LED light uncovered, do not look direct into with an optical instruments to avoid eye injuries. If it is not functioning correctly, consult a qualified, registered electrician.

The refrigerant and risk of fire

The appliance contains a small quantity of refrigerant (**R600a**) in the refrigerant circuit.

- The iso-butane (**R600a**) refrigerant, is environmentally friendly but flammable, ensure that tubing of the refrigerant circuit is not damaged during transportation and installation to avoid risk of fire caused by leaking refrigerant.

Caution!



Keep away burning candles, lamps and other items with naked flames and sources of ignition from the appliance and ventilate the room thoroughly to avoid the risk of fire and eye injury in the case of any leakage of refrigerant (R600a).

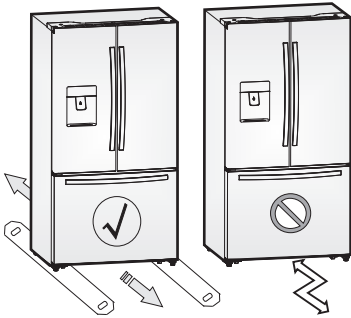
- Do not store products which contain flammable propellants (e.g. spray cans) or explosive substances in the appliance.

Installing your new appliance

This section explains the installation of the new appliance before using it for the first time. We recommend reading the following tips.



For proper installation, this refrigerator must be placed on a level surface of hard material that is the same height as the rest of the flooring. This surface should be strong enough to support a fully loaded refrigerator, or approximately 266 lbs. (120 kg). When moving, be sure to pull out and push back the unit in straight.



Location and ambient room temperature limits

It's essential to find a suitable place to locate your new appliance to ensure its efficient operation. Please consider the following instruction for your appliance:

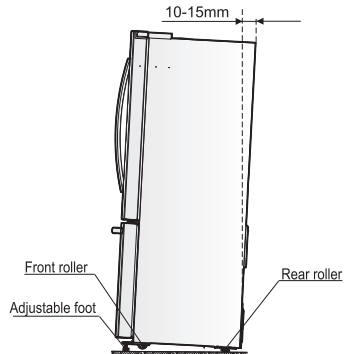
- Install the appliance in a dry and low moisture area. The best range of ambient temperature for appliance is 10°C~43°C.
- Keep the appliance away from heat sources, such as stoves, fires places or heaters.
- Keep the appliance out of direct sunlight, and rain.

Class	Symbol	Ambient Temperature range(°C)
Extended Temperate	SN	+10 to +32
Temperate	N	+16 to +32
Subtropical	ST	+16 to +38
Tropical	T	+16 to +43

Leveling of appliance

For proper leveling and avoid vibration, this appliance is provided with adjustable feet in front. Please adjust the level by following below instructions:

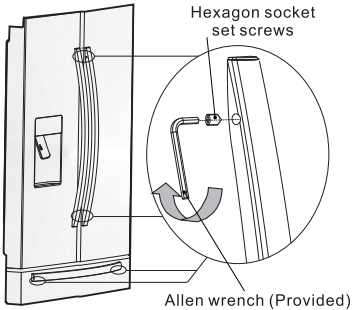
1. Roll the refrigerator into place.
2. Turn the adjustable feet (with your fingers or a suitable spanner) until they touch the floor.
3. Tilt back the top backwards for about 10-15 mm by turning the feet 1~2 turn further. This will allow the doors to self-close and seal properly.
4. Whenever you want to move the appliance, remember to turn the feet back up so that the appliance can roll freely. Reinstall the appliance when relocating.



Warning: The rollers, which are not castors, should be only used for forward or backward movement. Moving the refrigerator sideways may damage your floor and the rollers.

Adjusting the door handle

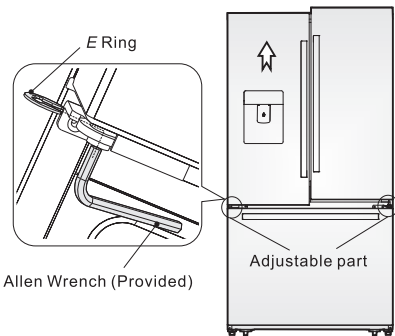
Before you use the appliance, please check the refrigerator handles. If the handles are loose, please adjust them by using an Allen wrench in the clockwise direction until handles are securely in place. Each one of the handles is fitted with 2 screws.



Adjusting the doors

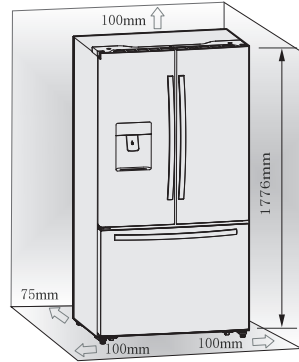
● Both left and right doors are equipped with adjustable axes, which are located in the lower hinges.

● Before adjusting its doors, please ensure that the refrigerator is level. Please review the previous section on "Leveling appliance". If you find the top of the doors are uneven, insert the Allen wrench into the hinge axis, and turn it clockwise to rise the door or anticlockwise to lower the door, an insert an E Ring into the gap.

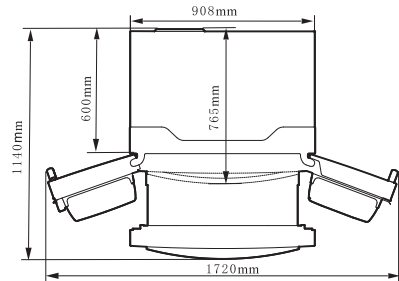


Ventilation of appliance

In order to improve efficiency of the cooling system and save energy, it is necessary to maintain proper ventilation around the appliance for heat dissipation. For this reason, sufficient space should be provided around the refrigerator and the area should be clear of any obstruction that affects the air circulation.



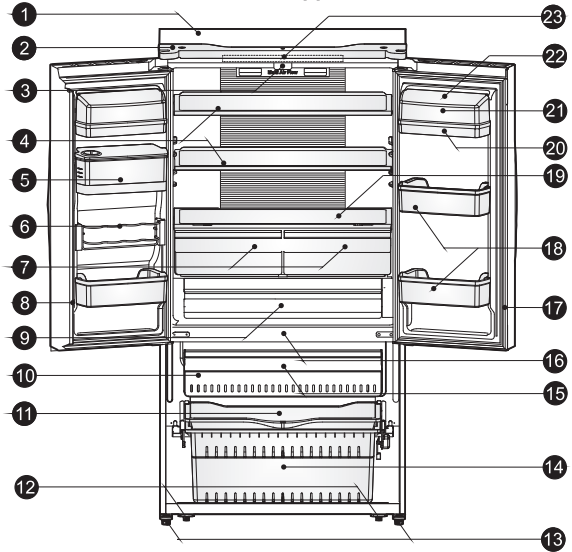
Suggestion: It is advisable leaving at least 75mm of clearance from the back of appliance to the wall, and at least 100mm from top, and on both sides. When positioned in a corner area, provide a clear space at least 406mm on the each hinge side to allow the doors to open enough to enable the removal of drawers and shelves. As shown in the following diagram.



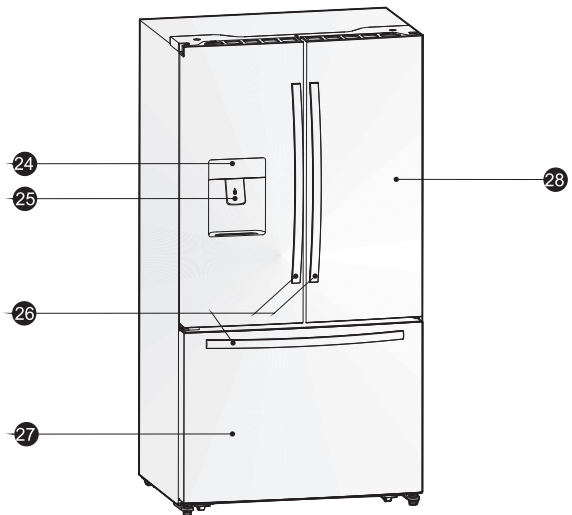
Description of the appliance

- 1 Cabinet
- 2 Top cover
- 3 Vertical baffle guide block
- 4 Glass shelf
- 5 Water storage box
- 6 Flexible pop can rack
- 7 Fruit and vegetables crisper
- 8 Vertical baffle part
- 9 My fresh choice
- 10 Twistable ice tray (inside)
- 11 Serving tray
- 12 Rollers
- 13 Adjustable bottom feet
- 14 Lower freezer drawer
- 15 Upper freezer drawer
- 16 Freezer LED light (inside)
- 17 Refrigerator door seal
- 18 Lower rack
- 19 Crisper cover
- 20 Upper rack
- 21 Egg tray (inside)
- 22 Rack cover
- 23 Refrigerator LED light (inside)
- 24 Display board
- 25 Cold water dispenser
- 26 Handles
- 27 Freezer door
- 28 Refrigerator door

View 1 of the appliance



View 2 of the appliance



Note: Due to constant improvement of our products, your refrigerator may be slightly different from the above illustration, but its functions and using methods remain the same.

Note: To get the best energy efficiency of this product, please place all shelves, drawers and baskets on their original position as the illustration above.

Display controls

All functions and controls of the unit are accessible from a control panel conveniently located on the door of the refrigerator. A keypad of touch buttons and a digital display allow easy configuration of features and settings in a simple and intuitive manner.

Important! Touch buttons require only a short press on a button to operate. The operation occurs when releasing your finger from the button, not while the button is pressed. There is no need for applying pressure on the keypad.

Only some functions related to the "Holiday" and "Alarm" buttons require a long touch of at least 3 sec. Please refer to those related sections of this Manual for detailed instructions.

The control panel consists of two indicating temperature areas, five icons representing different modes and six touch buttons. When the appliance is powered on for the first time, the backlight of the icons on display panel turns on. If no buttons have been pressed and the doors remains closed, the backlight will turn off after 60 sec.



Controlling the temperature

We recommend that when you start your refrigerator for the first time, the temperature for the refrigerator is set to 5°C and the freezer to -18°C. If you want to change the temperature, follow the instructions below.

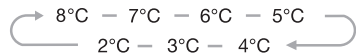
Caution!

When you set a temperature, you set an average temperature for the whole refrigerator cabinet. Temperatures inside each compartment may vary from the temperature values displayed on the panel, depending on how much food you store and where you place them. Ambient temperature may also affect the actual temperature inside the appliance.


1. Fridge

Press "Fridge" button repeatedly to set your desired fridge temperature between 8°C and 2°C, the temperature will increase 1°C degrees with each press and the fridge temperature indicator will

display corresponding value according to the following sequence.



2. Super Cool

 Super Cool can refrigerate the food quicker and keep food fresh for a longer period.

- Press "Super Cool" button to activate this function. The Super Cool icon will light up and the Fridge temperature indicator will display 2°C.

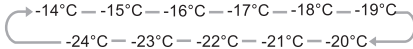
Super cool automatically switches off after 6 hours.

- Press "Super Cool" or "Fridge" to cancel super cool mode and revert to previous temperature settings.

3. Freeze

Press "Freezer" button to set the freezer temperature between -14°C and -24°C to suit your desired temperature, and the

freezer temperature indicator will display corresponding value according to the following sequence.



4. Super Freeze



Super Freeze can rapidly lower frozen temperature and freeze your food substantially faster than usual. This feature also helps to keep the vitamins and nutrition of fresh food for longer period.

- Press "Super Freeze" button to activate the super freeze function. The Super Freeze light will be illuminated and the freezer temperature setting will display -24°C.

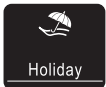
- For first time use, or after a period of inactivity, allow 6 hours of normal operation before using Super Freeze mode. This is particularly important if a large amount of food is placed in the freezer.

- Super freeze automatically switches off after 26 hours of usage and the freezer temperature goes to below -20°C.

- Press "Super Freeze" or "Freezer" to cancel Super Freeze mode and revert to previous temperature settings.

Note: When selecting the Super Freeze function, ensure there are no bottled or canned drinks (especially carbonated drinks) in the freezer compartment. Bottles and cans may explode.

5. Holiday



This function is designed to minimise the energy consumption and electricity bills while the Fridge is not in use for a long period of time. You can activate this function by pressing "Holiday" button for 3 sec until the Holiday light icon is illuminated.

Important! Do not store any food in the refrigerator chamber during this time.

- When the holiday function is activated, the temperature of the refrigerator is automatically switched to 15°C to minimise the energy consumption. The refrigerator temperature setting displays "-" and the freezer compartment remains on.

- Press any button to cancel Holiday mode and revert to previous temperature settings.

6. Alarm



In case of alarm, "Alarm" icon will light up and a buzzing sound will start.

Press "Alarm" button to stop alarm and buzzing then "Alarm" icon will turn off.

Caution! When the refrigerator is turned on after a period of inactivity, the Alarm may be activated. In this case, press "Alarm" button to cancel it.

Door Alarm

The alarm light on and a buzzing sound indicate abnormal conditions, such as accidentally a door left open or that a power interruption to the unit has occurred.

- Leaving any door of refrigerator or freezer open for over 2 minutes will activate a door alarm and buzzer. The buzzer will beep 3 times per minute for 10 minutes. Closing the door cancels the door alarm and buzzer.

- To save energy, please avoid keeping doors open for a long time when using refrigerator. The door alarm can also be cleared by closing the doors.

Temperature alarm

This is an important feature that alerts users of potential damage to stored food. If a power failure occurs, for example a blackout in your area of residence while you are away, the temperature alarm will memorize the temperature of the freezer when power was restored to the unit; this is likely to be the maximum temperature reached by frozen items.

A temperature alarm condition will be indicated by Alarm light and buzzer when the temperature reading is warmer than -9°C , then

- a- The Alarm icon lights up;
- b- The freezer temperature indicator displays "H";
- c- The buzzer beeping 10 times when the alarm is triggered and stop automatically.

Child Lock



Press and hold the "Alarm" button for 3 seconds to activate the child lock.

This will disable the display to prevent accidental changes to settings. Meanwhile, the "Child Lock" icon will be illuminated.

- To turn the child lock off, press and hold the "Alarm" button for 3 seconds. The "Child Lock" icon will be turned off.

Using your appliance

This section explains that how to use the refrigerator features. We recommend that you read through carefully before using the appliance.

Cold water dispenser

The cold water dispenser, located in the left refrigerator door, is used for storing drinking water. This feature provides chilled water easily without opening the door.

●Cleaning

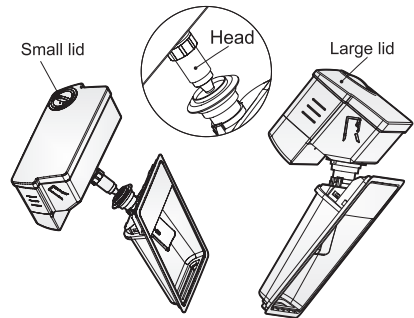
Please clean the water dispenser before using it for the first time.

1. Put the water container out of the door carefully, and then wash the container, lids, and head lightly with water.
2. After you have cleaned the water dispenser, dry it in a natural way or using dry cloths.

●Assembling

Please refer to the following instruction to reassemble the dispenser.

1. Hold tightly both sides of the water container then lift it up and put it out from the door.
2. Unscrew the head in counterclockwise direction.
3. Insert them back on the door and push the container until you hear a click sound.



Warning !

When inserting the water container, ensure the head sits correctly into the hole first.

Filling water

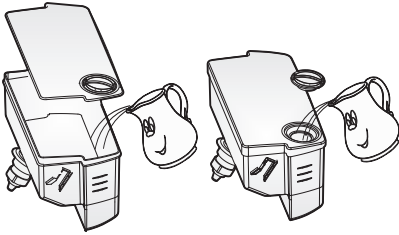
Before you fill the drinking water into the water container, ensure that the water container is steady and placed into a correct position.

To prevent water from overflowing and spilling, fill the water container below the maximum level mark which is approximately about 4.0L. There are two ways to fill the water container:

1. By removing the small lid and fill water from the inlet of the large lid.
2. By removing the large lid of the tank, and then fill water directly.

Caution!

Do not fill any other liquid than water inside the water container.

**●Lock**

Before you dispense the water, ensure that the dispenser is in "unlock" position.

Warning

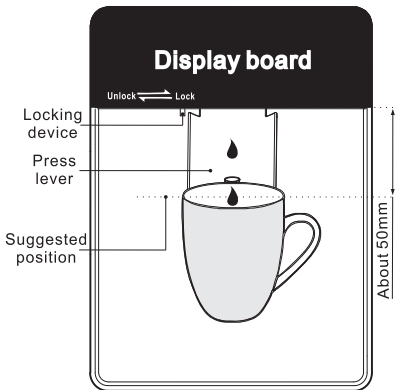
The lock feature is used to lock the device. Don't push strongly the dispenser lever when the dispenser is in "lock" position, this may damage and break the dispenser.

●Using water dispenser

You should use a suitable cup size to fill the water underneath the water dispenser.

Warning! Don't pull the dispenser lever out without a cup underneath; this may cause the water leak from the dispenser.

Keep the water supply device installed when the water dispenser is out of use to prevent cold air leakage.



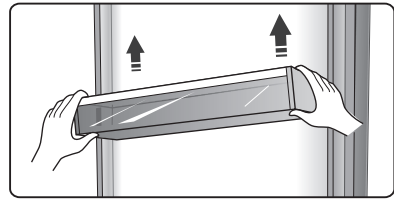
Note: Frequently usage of the water dispenser could spill drops on the tray which may overflow. Dry the tray with a towel as required.

Door rack

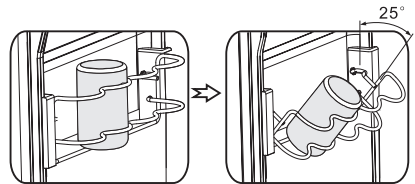
The refrigerator chamber is fitted with door racks suitable for storing canned liquid, bottled drinks and packed food. Do not place a large amount of heavy food and items inside door racks.

●The middle door shelf is designed to adjust at different heights according to your requirements. Please empty the rack before lifting upward to remove it. Then reposition the rack at the desired height.

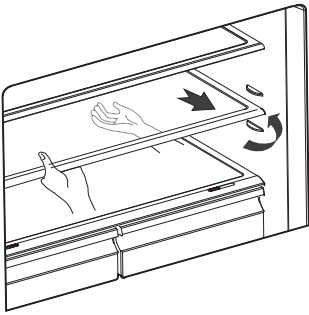
Note: There is an egg tray provided that should be located in the upper rack.

**Pop can rack**

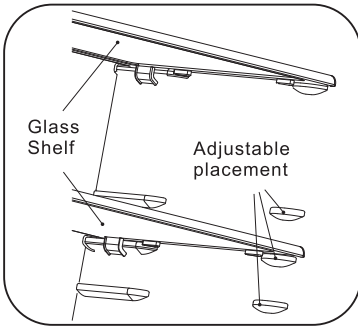
●This rack stores up to 4 cans of standard size, but it is not suitable for cans with diameter smaller than 50mm. The rack also can rotate 25° along the shelf if required, to facilitate storing or taking drinks.

**Glass shelves**

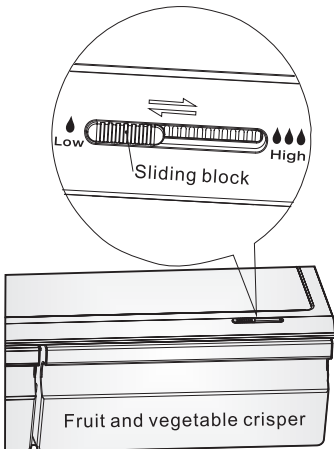
The refrigerator chamber is provided with two glass shelves. While the top shelf is designed to be fixed, the lower shelf is adjustable. There are three placements for relocating the lower shelf. Adjust the height of the shelf according to your need:



- When removing the shelves, gently pull them forward until they exit the guides.
- When you return the shelves, make sure there is no obstacle behind and gently push them into the position.



Crisper and humidity control

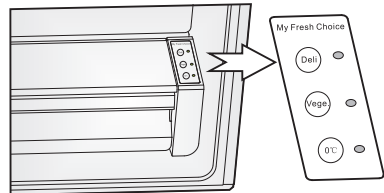


The crisper, mounted on telescopic extension slides, is for storing vegetables and fruits. You can adjust the humidity inside by using the sliding block.

- The humidity control adjusts the airflow in the crisper; higher airflow results in lower humidity. Slide the humidity control to the right in order to increase humidity.
- High humidity settings are recommended for vegetables, while low humidity is suitable for preservation of fruit.
- Follow these simple instructions to remove the crisper chamber, or freezer drawer, for cleaning. Empty the crisper chamber; pull it out to fully open position. Lift the crisper from the lateral slides. Push the slides fully in to avoid damage when closing the door.

My Fresh Choice. Precision control of temperature (Optional)

Food can be preserved fresh for longer periods when stored at their optimal temperature, but different types of food require different storage temperatures. There is a chill drawer display on the right of the drawer. The temperature of the compartment can be set at 0°C, 3°C, and 5°C to suit either meat, or fruits and vegetables, or deli products respectively by using "My Fresh Choice" buttons. Please refer to the table below for the recommended settings to suit your storage needs.



<i>Deli[5°C]</i>	<i>Vege.[3°C]</i>	<i>0°C[0°C]</i>
<i>Cheese</i>	<i>Cucumber</i>	<i>Steaks</i>
<i>Ham</i>	<i>Lettuce</i>	<i>Fish</i>
<i>Salami</i>	<i>Oranges</i>	<i>Cold cuts</i>
<i>Olives</i>	<i>Corn</i>	<i>Poultry</i>

Using the refrigerator chamber

The refrigerator chamber is suitable for storage of vegetable and fruits. Separate packing of different foods is recommended to avoid losing moisture or flavour permeating into other foods.

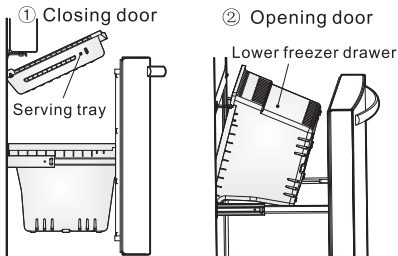
Caution!

Never close doors while the shelves, crisper and/or telescopic slides are extended. It may damage the unit.

Using the freezer drawer

Freezer drawer is suitable for storing food required to be frozen, such as meat, ice cream, etc.

To remove the freezer drawer pull it out fully, tilt up the serving tray and lift it out, then open the refrigerator doors to the maximum angle and the lower freezer drawer can be taken out, as shown in the following pictures.



● Caution

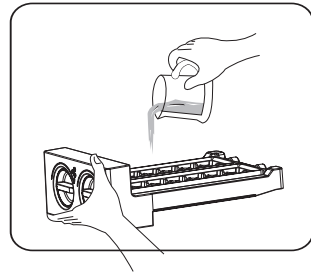
Do not allow babies or children go inside the refrigerator, as they could injure themselves or damage the refrigerator. Do not sit on the freezer door. The door may break. Do not allow children to climb into the freezer basket.

If you remove the divider to clean the basket bin, you must reinstall the divider after cleaning to prevent children from getting trapped inside the basket.

Twistable ice tray

● Twistable ice tray is placed in the upper freezer drawer to make and store ice cubes.

1. Pull out the twistable ice tray from the installation bracket.
2. Fill with drinking water below the maximum level mark.
3. Place the filled ice tray back to the bracket.
4. Await for around 3 hours, twist the knobs clockwise and the ice will drop into the ice box below.



5. Ice cubes can be stored in the ice box, if you need them, you can pull out the ice box and take them out.

Note: If the ice tray is used for the first time or has not been used for a long time, please clean it before using.

Helpful hints and tips

Energy saving tips

We recommend that you follow the tips below to save energy.

- Try to avoid keeping the door open for long periods in order to conserve energy.
- Ensure the appliance is away from any sources of heat (Direct sunlight, electric oven or cooker etc).
- Don't set the temperature colder than necessary.
- Don't store warm food or evaporating liquid in the appliance.
- Place the appliance in a well ventilated, humidity free, room. Please refer to Installing your new appliance chapter.
- View 1 under the "Description of the appliance" section shows the correct arrangement for the drawers, crisper and shelves, do not adjust the combination as this is designed to be the most energy efficient configuration.

Hints for fresh food refrigeration

- Do not place hot food directly into the refrigerator or freezer, the internal temperature will increase resulting in the compressor having to work harder and will consume more energy.
- Do cover or wrap the food, particularly if it has a strong flavor.
- Place food properly so that air can circulate freely around it.

Hints for refrigeration

- Meat (All Types) Wrap in polythene food: wrap and place on the glass shelf above the vegetable drawer. Always follow food storage times and use by dates suggested by manufacturers.
- Cooked food, cold dishes, etc.: They should be covered and may be placed on any shelf.
- Fruit and vegetables: They should be stored in the special drawer provided.
- Butter and cheese:

Should be wrapped in airtight foil or plastic film wrap.

- Milk bottles:

Should have a lid and be stored in the door racks.

Hints for freezing

- When first starting-up or after a period out of use, let the appliance run at least 2 hours on the higher settings before putting food in the compartment.
- Prepare food in small portions to enable it to be rapidly and completely frozen and to make it possible to subsequently thaw only the quantity required.
- Wrap up the food in aluminum foil or polyethylene food wraps which are airtight.
- Do not allow fresh, unfrozen food to touch the food which is already frozen to avoid temperature rise of the latter.
- Iced products, if consumed immediately after removal from the freezer compartment, will probably cause frost burns to the skin.
- It is recommended to label and date each frozen package in order to keep track of the storage time.

Hints for the storage of frozen food

- Ensure that frozen food has been stored correctly by the food retailer
- Once defrosted, food will deteriorate rapidly and should not be re-frozen. Do not exceed the storage period indicated by the food manufacturer.

Switching off your appliance

If the appliance needs to be switched off for an extended period, the following steps should be taken to prevent mould on the appliance.

1. Remove all food.
2. Remove the power plug from the mains socket.
3. Clean and dry the interior thoroughly.
4. Ensure that all the doors are wedged open slightly to allow air to circulate.

Cleaning and care

For hygienic reasons the appliance (including exterior and interior accessories) should be cleaned regularly at least every two months.

Caution! The appliance must not be connected to the mains during cleaning. Danger of electrical shock! Before cleaning switch the appliance off and remove the plug from the mains socket.

Exterior cleaning

To maintain good appearance of your appliance, you should clean it regularly.

-Wipe the digital panel and display panel with a clean, soft cloth.

-Spray water onto the cleaning cloth instead of spraying directly on the surface of the appliance. This helps ensure an even distribution of moisture to the surface.

-Clean the doors, handles and cabinet surfaces with a mild detergent and then wipe dry with a soft cloth.

Caution!

-Don't use sharp objects as they are likely to scratch the surface.

-Don't use Thinner, Car detergent, Clorox, ethereal oil, abrasive cleansers or organic solvent such as Benzene for cleaning. They may damage the surface of the appliance and may cause fire.

Interior cleaning

● You should clean the appliance interior regularly. It will be easier to clean when food stocks are low. Wipe the inside of the fridge freezer with a weak solution of bicarbonate of soda, and then rinse with warm water using a wrung-out sponge or cloth. Wipe completely dry before replacing the shelves and baskets.

Thoroughly dry all surfaces and removable parts.

● Although this appliance automatically defrosts, a layer of frost may occur on the freezer compartment's interior walls if the freezer door is opened frequently or kept open too long. If the frost is too thick, choose a time when the supply of food stocks are low and proceed as follows:

1. Remove existing food and accessories baskets, unplug the appliance from the mains power and leave the doors open. Ventilate the room thoroughly to accelerate the thawing process.

2. When defrosting is completed, clean your freezer as described above.

Caution! Don't use sharp objects to remove frost from the freezer compartment. Only after the interior is completely dry should the appliance be switched back on and plugged back into the mains socket.

Door seals cleaning

Take care to keep door seals clean. Sticky food and drinks can cause seals to stick to the cabinet and tear when you open the door. Wash seal with a mild detergent and warm water. Rinse and dry it thoroughly after cleaning.

Caution! Only after the door seals are completely dry should the appliance be powered on.

Warning!

The LED light must not be replaced by the user! If the LED light is damaged, contact the customer helpline for assistance.

Troubleshooting

If you experience a problem with your appliance or are concerned that the appliance is not functioning correctly, you can carry out some easy checks before calling for service, please see below. You can carry out some easy checks according to this section before calling for service.


Warning! Don't try to repair the appliance yourself. If the problem persists after you have made the checks mentioned below, contact a qualified electrician, authorized service engineer or the shop where you purchased the product.

Problem	Possible cause & Solution
Appliance is not working correctly	Check whether the power cord is plugged into the power outlet properly.
	Check the fuse or circuit of your power supply, replace if necessary.
	It is normal that the freezer is not operating during the automatic defrost cycle, or for a short period of time after the appliance is switched on to protect the compressor.
Odours from the compartments	The interior of the refrigerator may need to be cleaned.
	Some food, containers or wrapping cause odours.
Noise from the appliance	The sounds below are quite normal: <ul style="list-style-type: none"> ●Compressor running noises. ●Air movement noise from the small fan motor in the freezer compartment or other compartments. ●Gurgling sound similar to water boiling. ●Popping noise during automatic defrosting. ●Clicking noise before the compressor starts.
	Other unusual noises are due to the reasons below and may need you to check and take action: The cabinet is not level. The back of appliance touches the wall. Bottles or containers fallen or rolling.
The motor runs continuously	It is normal to frequently hear the sound of the motor, it will need to run more when in following circumstances: <ul style="list-style-type: none"> ● Temperature setting is set colder than necessary ● Large quantity of warm food has recently been stored within the appliance. ●The temperature outside the appliance is too high. ●Doors are kept open for a long period. ●After your installing the appliance or it has been switched off for a long time.
A layer of frost occurs in the compartment	Check that the air outlets are not blocked by food and ensure food is placed within the appliance to allow sufficient ventilation. Ensure that door is fully closed. To remove the frost, please refer to "cleaning and care" section.

Temperature inside is too warm	You may have left the doors open too long or too frequently; or the doors are kept open by some obstacle; or the appliance is located with insufficient clearance at the sides, back and top.
Temperature inside is too cold	Increase the temperature by following the "Display controls" chapter.
Doors can't be closed easily	Check whether the top of the refrigerator is tilted back by 10-15mm to allow the doors to self close, or if something inside is preventing the doors from closing.
Water drips on the floor	The water pan (located at the rear bottom of the cabinet) may not be properly leveled, or the draining spout (located underneath the top of the compressor depot) may not be properly positioned to direct water into this pan, or the water spout is blocked. You may need to pull the refrigerator away from the wall to check the pan and spout.
The light is not working	The LED light may be damaged. Refer to replace LED lights in cleaning and care chapter. The control system has disabled the lights due to the door being kept open too long, close and reopens the door to reactivate the lights.
Doors does not open smoothly	Check the door seal, and if it is necessary clean the rubber gasket seal around the edges of the door using dish soap and warm water. Dirt and grime can collect here and cause door stick to the fridge.

Disposal of the appliance

The refrigerator is built from reusable materials. It must be disposed of in compliance with current local waste disposal regulations. The appliance contains a small quantity of refrigerant (R600a) in the refrigerant circuit. For your safety please refer to the section of "the refrigerant and risk of fire" in this Instruction Manual before scrapping the appliance. Please cut off the power cord to make the refrigerator unusable and remove the door seal and lock. Please be cautious of the cooling system and do not damage it by puncturing the refrigerant container and/or bending the tubing, and/or scratching of the surface coating.

Correct Disposal of this product	
	<p>This symbol on the product or in its packing indicates that this product may not be treated as household waste. Instead, it should be taken to the appropriate waste collection point for the recycling of electrical and electronic equipment. By ensuring this product is disposed of correctly, you will help prevent potential negative consequences for the environment and human health, which could otherwise be caused by the inappropriate waste handling of this product. For more detailed information about the recycling of this product, please contact your local council your household waste disposal service, or the shop where you purchased the product.</p>

HISENSE WARRANTY TERMS AND CONDITIONS

Washing Machine and Refrigerator

1.HISENSE Australia will provide parts and labor to you the Customer as set out herein.

2.Nothing in the warranty, limits any rights you may have under the trade practices act or any other Commonwealth or State Legislation. Such rights cannot be changed by the conditions in this warranty. Subject to the conditions below this appliance is warranted by Hisense and/or its Agents to be free from defects in materials and workmanship for a period of 36 months from the date of purchase ("Warranty period").

The inverter motor of washing machines has part replacement warranty of 11 years in total. The inverter motor parts only warranty does not include labor costs and must be verified by Hisense certified service Agent.

3.This warranty: -

- a. covers products purchased as NEW, manufactured for use in Mainland Australia and Tasmania;
- b. commences from the date of purchase as listed on the Customers invoice;
- c. provides for the labour and replacement parts necessary to maintain your product in good operating condition as specified in this warranty however, if repair is needed because of product failure during normal usage, Hisense has the option to repair or replace the defective product or part of the product with a product or part of the product of like kind and quality and a replacement part may be new or reconditioned of like kind and quality and may cost less than the original product purchased and no charges or refunds will be made based on the replacement product cost difference;
- d. applies only to the original purchaser and cannot be transferred;
- e. is only applicable when your appliance is used in a domestic environment;
- f. covers products for commercial purposes for a period of 90 Days from the date of purchase.

4.Product Identification

- a. Hisense reserves the right to reject claims for any services or work where the Customer requesting such work or services from Hisense and/or its agents cannot produce for verification the serial number and the proof of purchase as per original purchase invoice.
- b. The warranty will be voided if any Serial Number sticker provided to be placed on the equipment is damaged, modified or removed.
- c. In the event that a request for repair is made against a warranty where the Serial Number sticker is not attached to the product or the customer cannot produce for verification the original invoice, the repairer will not perform any repairs on the product and the Customer will be charged a service call-out fee.

5.What is covered by this warranty

- a. The equipment is covered for faulty workmanship on parts that have failed under normal use which are contained within the product.
- b. Hisense and/or its Agents will decide if there are any defects in the material and/or workmanship
- c. This warranty is only applicable for repairs on declared equipment carried out within Mainland Australia and Tasmania

6.What is not Covered by this warranty (excluded):-

- a. any damage or failure:
 - i. of equipment due to the product being inadequately serviced or maintained as per manufacturer's recommendations;
 - ii. resulting from environmental conditions including and not limited to dirt, dust, rodents, insects, rust, corrosion, salt built-up, of any part of the product including its parts; or
 - iii. resulting from excessive use "fair wear and tear";
 - iv. resulting from poor installation including and not limited to positioning and externally fitted equipment such as plumbing and drainage, or incompatibility of connected equipment;
 - v. to the product caused by overheating as a result of sitting or positioning of the equipment, where there is not provision for adequate ventilation, drainage or a dust free environment,
 - vi. caused if your appliance has been dismantled, repaired or serviced by any person other than someone authorized by Hisense;
 - vii. to a product or components, caused by power surges or spikes, including and not limited to, mains power and telecommunications connections, or to other unspecified sources, incorrect power current, voltage fluctuation, amperage fluctuation, rust or corrosion;

viii. Any form of physical damage of unknown cause, including snapped, damaged or broken parts, collision with another object, use of which it is not designed, negligence, accident or deliberate misuse, theft, abuse, vandalism, flood, fire, earthquake, electrical storms or any other act of God, any war related events or terrorism.

- b. costs of attendance and testing where no mechanical or electrical failure is identified;
- c. initial setup and installation of the product;
- d. Normal maintenance costs and costs incurred through the installation of items listed as requiring periodic replacement;
- e. products with removed or altered serial numbers;
- f. consumables such as but not limited to bulbs/globes, batteries, remote controls or filters;
- g. removal repair or reinstallation of internal component not performed by or approved by Hisense authorized service centre;
- h. cosmetic or structural items;
- i. Any failures due to the interference from or to other products and/or sources.

7.The Warranty Ceases if: -

- a. The product ceases to carry the original manufacturer's serial number or is sold at an auction;
- b. The product is rented;
- c. Damage to the product has occurred as listed in point 6.
- d. Failure to pay monies owing on invoices as a result of non-warranty work being carried out at the request of the end user as per point 15.

8.Neither Hisense nor its representatives provide loan equipment under the terms of this warranty.

9.Our goods come with guarantees that cannot be excluded under the Australian Consumer Laws. You are entitled to a replacement or refund for a major failure and for compensation for any other reasonably foreseeable loss or damage. You are also entitled to have the goods repaired or replaced if the goods fail to be of acceptable quality and the failure does not amount to a major failure.

10.Any unauthorized access to the internal hardware or firmware of the product will void this warranty.

11.Replacement items are "Like for like" and is not "new for old" and does not indicate in any way that a faulty product will be replaced with a new part or unit. "Like for like" may either be a quality checked (QC) refurbished or reconditioned unit of the same or equivalent model, size, specifications or features.

12.If your product is 130 litres capacity or under or if you reside outside of the service coverage area this warranty does not cover the costs of transportation or travel expenses to and from your home. Our service coverage area includes a 25km radius of the nearest Hisense authorised retailer or 25km from the Hisense authorised service agent.

13.Hisense accepts no liability for items that are lost, damaged, or stolen as a result of freight, transport or storage. If you are required to transport the appliance to an authorized service centre, you must ensure that it is securely packed and insured.

14.On Public Holidays or other periods when regular business and wholesale operations are temporarily ceased, repairer availability and warranty response times may extend beyond the standard response times due to the availability of repairers and parts.

15.Any repair performed on a product under the warranty where no fault can be found, or the item is deemed by Hisense, or an authorized Hisense agent, to be not faulty under this warranty, or the repair or fault is not covered under the warranty, a No Fault Found fee is payable by the warranty holder of a minimum of \$125 inc GST.

16.Any repairs or services required that are outside of the terms and conditions of the warranty can be carried out at the request of the customer or due to site attendance were fault is not covered under warranty as the product not been installed or setup correctly; a credit card may be required prior to the commencement of such services.

WARRANTY CLAIMS PROCEDURE

Please retain this portion for
your records

36 MONTHS IN HOME REPAIR WARRANTY*

Hisense Australia will provide its nearest service centre for repairs under warranty. You will need to ensure that you have already called Hisense Warranty Centre and received a JOB NUMBER.

Any questions call our hotline on **1800 447 367**

PLEASE REFER TO THE TROUBLESHOOTING GUIDE AT THE END OF THIS MANUAL

Service Procedure

Please have your **proof of purchase, model, and serial number** ready. To receive service, you are required to:

Call **1800 447 367** between **8:30AM – 7:30 PM Mon. to Fri. and 9AM – 5PM Sat and Sun** exc public holidays.

When calling please ensure you have

- 1. Your serial number**
- 2. Proof of purchase**
- 3. and be in front of the product**

You are required to fax or email your original invoice prior to processing your warranty claim.

*Within the nominated service coverage area refer to item 11 in the terms and conditions.

Hisense

life reimagined